

**Cestari**

**31,000 & 43,000 LITRE CHASER BIN**



Photo for illustration purposes. Vennings fit a lug type tractor tyre to the bins, not the tyres as illustrated

MODEL S6 31,000 Litre & 43,000 Litre 4 Wheel Bin comes with Electronic Scales, Roll Top Tarp, New 30.5x32 18 Ply Tractor Lug Type Tyres, Adjustable Spout, 9" Quad View Monitor with 3 cameras, PTO Drive. Hydraulically controlled cleanout floor for quick cleaning. Fitted with tail stop and turning indicators, revolving light and oversize sign.







Heavy Duty Roll over Tarp fitted to bin

External & Internal Ladders. Rear ladder folds up keeping it well out of the way when not in use

Indicator on front of bin shows position of shut off doors allowing bin to be unloaded at any speed

Door can be used to load an auger hopper for filling larger silos. Or for emergency cleanout in case of auger failure.



Organiser for hoses and light cables. One pair of the hoses for the hydraulic folding auger & the other pair for shut of covers for floor auger

External centralized lubrication point makes lubrication and maintain a simple task

Pivoting PTO and hose holder fitted to front of bin

Tail Stop and turn indicators on folding arms

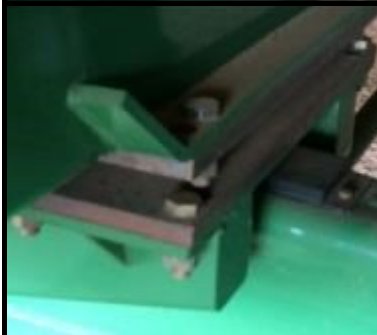


Pivoting drawbar for easy turning. Fitted with shock absorbing rubbers in front hitch section.

31,000 Litre bin takes 3.5 minutes to unload  
43,000 Litre bin takes 4 minutes to unload

Front steering axle made from 16mm Folded Plate 230mm x 160mm heavy duty bearings and 10 stud hubs

Rear axle made from 13mm Folded Plate 320mm x 160mm heavy duty bearings and 10 stud hubs




One of the four load cells fitted between the axle and the bin with .05% accuracy.

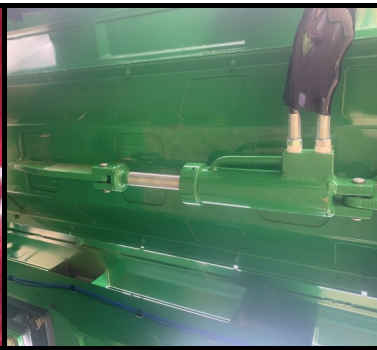
Heavy Duty Plastic tool box for convenient storage of tools and other requirements

Oversize Sign & Revolving light fitted to bin

Three large viewing windows fitted to the front of the bin

 <p><b>IMPORTED &amp; DISTRIBUTED</b> <b>BY</b> <b>Vennings</b> The Bulk Grain Handling Specialists</p>	<p><b>40 MINES ROAD</b> <b>KADINA SOUTH AUSTRALIA 5554</b> <b>Phone 08 8821 1196</b> <b>Web <a href="http://www.vennings.com.au">www.vennings.com.au</a></b> <b>Email <a href="mailto:info@vennings.com.au">info@vennings.com.au</a></b></p>	
	<p>The importer and manufacturer reserves the right to change specifications &amp; pricing without notice or incurring obligation. Information contained herein is from data available at time of printing. Photos for illustration purposes only. All quoted capacities are nominal.</p>	





Large trapdoor fitted to the bottom of bin with quick and easy cleanout of bin

Hydraulic ram controlled cleanout door on the bottom of the bin

Auger cleanout slide. Simply slide out clean out door to clean out auger or inspect flight

Join in auger is covered when auger is folded



Led Work light fitted to discharge auger

Adjustable discharge spout simply adjust the direction of grain flow by pressing a toggle switch

Discharge auger is fitted with spring led top bearing in case auger is folded out and flighting is not in correct position

Tow hitch fitted to the rear of the bin for towing augers or portable bins for on farm use only (check legal requirements in your state)



**SCALE DIGITAL READOUT FEATURES**

Stores up to 2000 movements  
 Register by date and time, the paddock on which you are working, size of paddock, type of grain, % of moisture of the grain and destination of the grain (e.g. Chassis Bin, Silos, Silo Bag)  
 It Shows individual and aggregate information of each record.  
 Alphanumeric keyboard for entering detailed information before  
 Calculate yield per hectare,  
 Data can be read from the indicator, print a ticket from the indicator (optional printer required) or download to your PC to store and manage through an RS232 or USB  
 The captured data can be managed as excel spread sheets.

**9" QUAD VIEW COLOUR TOUCHSCREEN MONITOR**  
 SINGLE, DUAL, TRIPLE QUAD-VIEW & PIP FUNCTIONS  
 SUITABLE FOR UP TO 4 WATERPROOF CAMERAS  
 Touch screen with finger tip operation  
 Day / Night brightness controls  
 Supplied with centre mount & U support bracket  
 Operates from 10-32 volts  
 Supplied with 6 metre power supply cable  
 Brightness, colour, contrast, volume & sharp separately adjustable

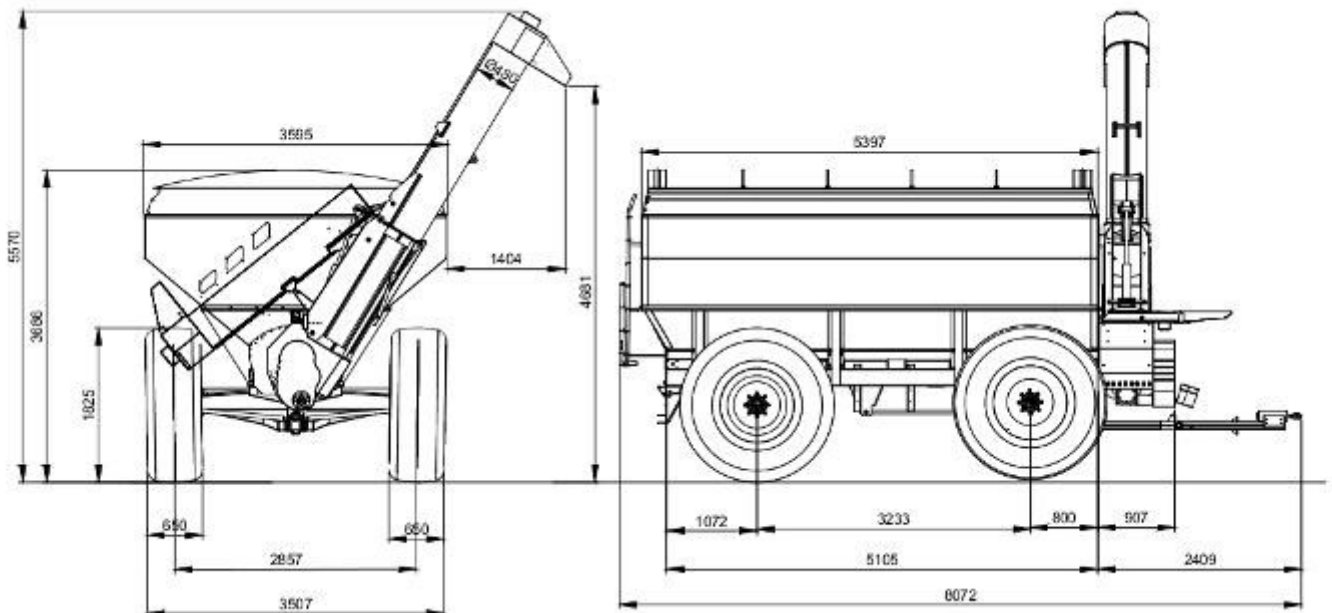


# SPECIFICATIONS CESTARI DUAL AXLE BIN

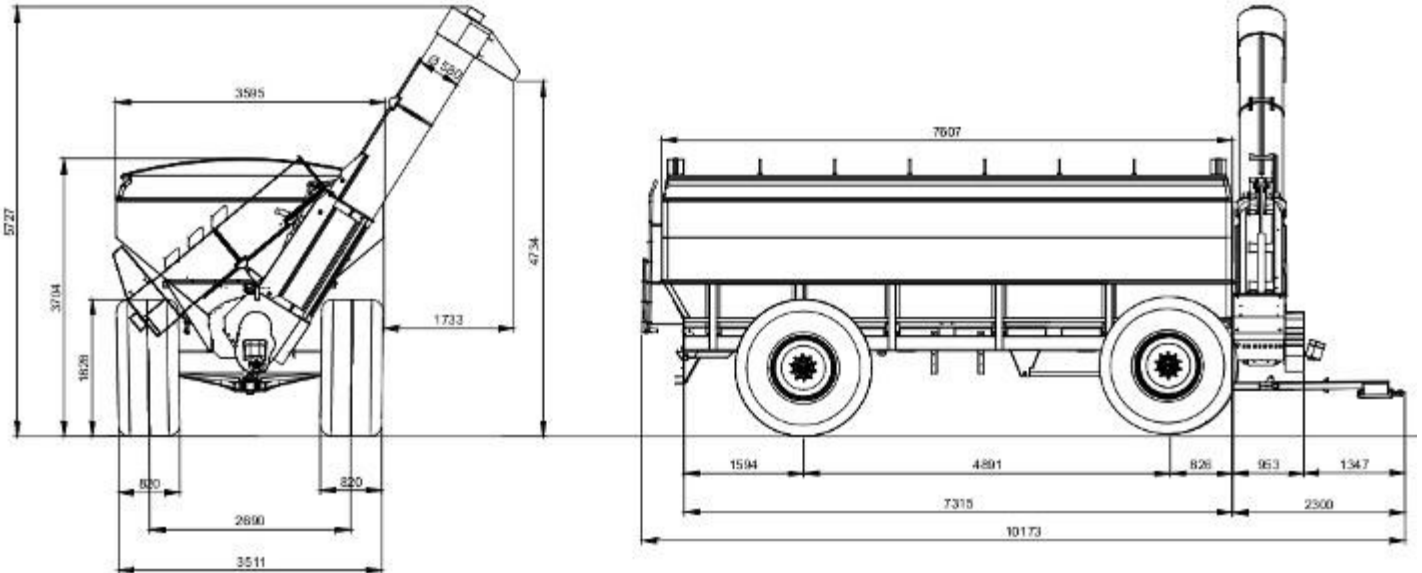
	31,000	43,000
Weight on 30.5x32 18 ply tyres	6,120 kg	8,170 kg
Capacity without roll tarp crest	31,000 litres	43,000 litres
Maximum load @ .80 ton per M3	24,800 kg	34,400 KG
Discharge auger	480mm (18.9") diameter Auger with a discharge rate up to 10 ton / minute.	580mm (22.8") diameter Auger with a discharge rate up to 12 ton / minute.
Floor auger (sweep auger)	380mm (15") sweep auger.	470mm (18.5") sweep auger.
Discharge Height under spout	4681mm	4734mm
Unloading Time Approximate	3.5 minutes	4 Minutes
Recommended Tractor	Minimum 150 H/P Tractor on firm ground 170 H/P + Tractor on soft ground	Minimum 180-200 H/P Tractor on firm ground 200 H/P + Tractor on soft ground

Discharge Auger	Fitted with hydraulic raise & lower.
Floor Auger	Hydraulic ram controlled shut off doors cover auger flight allowing bin to be unloaded at any speed
Hydraulics	Requires three pairs of hydraulics, One pair for the hydraulic folding auger, one for shut of covers of floor auger and one for the bin cleanout
Front Axle	Front steering axle made from 16mm Folded Plate 230mm x 160mm homogenized & tempered by induction with heavy duty directional forks with heavy duty bearings and 10 stud hubs
Rear Axle	Rear axle made from 13mm Folded Plate 320mm x 160mm homogenized & tempered by induction with heavy duty bearings and 10 stud hubs
Wheels	30.5 x 32 18 Ply Tractor Lug Type Tyres fitted on DW27x32 10 Stud Rims
PTO Shaft	Telescopic PTO Shaft with safety covers and shear pin to prevent breakage
Gear Box	Heavy duty gearbox with forged steel and oil coated gears
Cleanout	Simple hydraulic cleanout slide fitted to the bottom of the bin
Scales	Electronic scales with .05% accuracy. Four load cells fitted to bin with two weigh cells under the front axle and two under the rear axle.
Signs and Lights	Over size sign, revolving light and LED stop tail & turning lights
Roll Tarp	Complete with Heavy Duty Roll Top Tarp.
Work Light	Work light mounted by the discharge spout
Sight Glasses	Three large sight glasses fitted to the front of the bin
Ladders	Fitted with a rear and internal ladder. Rear ladder folds up keeping it well out of the way when not in use.
Folding Chute	Electronically controlled folding chute on end of discharge auger
Quad View Monitor with 3 cameras	9" Quad view monitor with 3 Camera's mounted on the Bin, one on the end of the discharge chute, one inside the bin and one at the rear of the bin

## DIMENSIONS 31,000 LITRE BIN



## DIMENSIONS 43,000 LITRE BIN



## PRICE LIST OCTOBER 2022

Litre Capacity of Bin	Axles	Roll Tarp	Scales	12 Volt Adjustable Spout	9" Quad View monitor & 3 cameras	Wheels	ESTIMATED Price Inc GST Bin only
10,000	Single	Included	\$	\$	\$	23.1x30 14 Ply	\$
14,800	Single	Included	\$	\$	\$	24.5x32 14Ply	\$
24,000	Single	Included	Included	Included	Included	30.5x32 18 Ply	\$
31,000	Single	Included	Included	Included	Included	900/60x32 20 Ply	\$
37,000	Single	Included	Included	Included	Included	900/60x32 20 Ply	\$
31,000	Dual	Included	Included	Included	Included	30.5x32 18 Ply	\$
43,000	Dual	Included	Included	Included	Included	30.5x32 18 Ply	\$

**ALL PRICES INCLUDE GST & EXCLUDE FREIGHT & INSURANCE IF APPLICABLE**

All bins standard with 540 RPM PTO Shaft

10,000 litre bin Estimated Hydraulic Drive Cost \$

24,000 & 31,000 litre bin Estimated Hydraulic Drive Cost \$

12 volt adjustable trapdoor to suit 10,000 litre bin to use as feed out cart \$

 <p style="text-align: center;">IMPORTED &amp; DISTRIBUTED BY</p>	<p><b>40 MINES ROAD</b> <b>KADINA SOUTH AUSTRALIA 5554</b> <b>Phone 08 8821 1196</b> <b>Web <a href="http://www.vennings.com.au">www.vennings.com.au</a></b> <b>Email <a href="mailto:info@vennings.com.au">info@vennings.com.au</a></b></p>
--	--

The importer and manufacturer reserves the right to change specifications & pricing without notice or incurring obligation. Information contained herein is from data available at time of printing. Photos for illustration purposes only. All quoted capacities are nominal.